

# VENETIAN ROLLER SHADES INSTALLATION INSTRUCTIONS

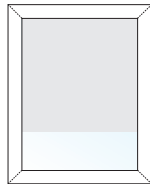
SIMPLY FOLLOW OUR STEP-BY-STEP INSTRUCTIONS AND YOUR BEAUTIFUL NEW SHADES WILL SOON BE ENHANCING YOUR HOME OR WORKSPACE FOR MANY YEARS TO COME.

## Getting Started:

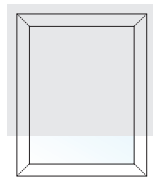
Carefully unpack your shades and check to make sure you have the following installation parts. We recommend reading through these instructions before starting the installation.

## Parts Included:

- Screws
- Mounting brackets
- Tension Device



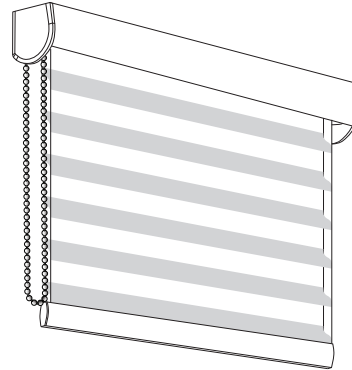
INSIDE MOUNT



OUTSIDE MOUNT

## Tools You Will Need:

- Drill with a 1/8" bit & a Phillips bit
- Phillips screwdriver
- Metal tape measure



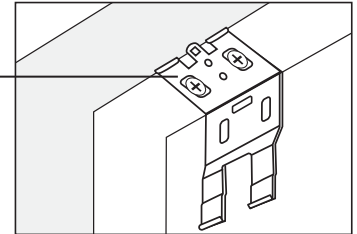
\* According to the Window Covering Manufacturers Association Inc., all labels must not be removed from the product.

\* To comply with child safety standards, all tension devices must be installed per the installation instructions provided in step 3.

## 1A. Mounting Your Shade - Inside Mount:

- For inside or ceiling mounts, use the top mounting bracket holes.
- Make sure the brackets are positioned as shown.
- Mount the brackets to the ceiling or window frame, with the outside brackets no further than 2 inches from the ends of the valance. On wide shades, space the additional mounting bracket(s) at equal intervals.

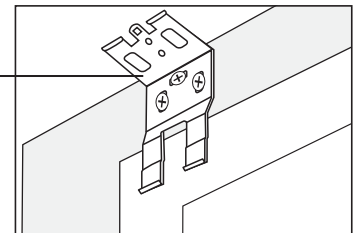
MOUNTING BRACKETS



## 1B. Mounting Your Shade - Outside Mount:

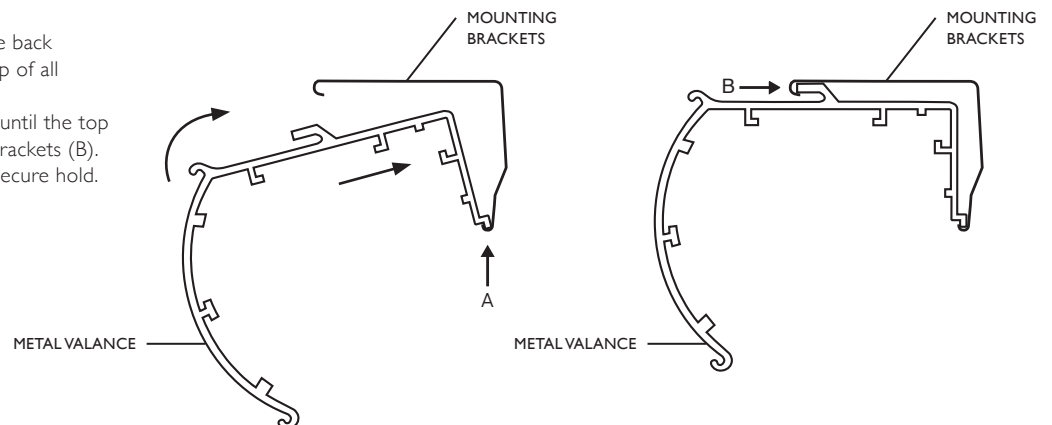
- For wall or outside mounts, use the rear mounting bracket holes.
- Make sure the release tab is always mounted on the bottom.
- Mount the brackets to the wall or window frame, with the outside brackets no further than 2 inches from the ends of the valance. On wide shades, space the additional mounting bracket(s) at equal intervals.

MOUNTING BRACKETS



## 2. Mounting the Metal Valance:

- Position the metal valance with the back panel (A) resting on the bottom lip of all mounting brackets.
- Rotate and push back the valance until the top lip catches onto the front of the brackets (B).
- Check each brackets to ensure a secure hold.



\*To remove: reverse the mounting steps

# VENETIAN ROLLER SHADES INSTALLATION INSTRUCTIONS (CONTINUED)

SIMPLY FOLLOW OUR STEP-BY-STEP INSTRUCTIONS AND YOUR BEAUTIFUL NEW SHADES WILL SOON BE ENHANCING YOUR HOME OR WORKSPACE FOR MANY YEARS TO COME.

## 3. Installing Tension Device (Continuous Loop Control):

### Positioning Tension Device:

The tension device should be positioned on the window frame or the wall so that the tension device and bead chain does not interfere with operation of window treatment.

### 3a. Begin Installation:

First slide the tension device to the bottom of the bead chain. While holding the tension device in one hand, pull the plunger away from the bead chain with the other hand. Lift the bead chain out of the bead locking groove (Figure 1) and slide the tension device to the bottom of the chain loop.

Pull the tension device down until the bead chain is fully tensioned (plunger [Figure 2] will be at the top) and then move the tension device up approximately 1/8" (3mm).

Mark the screw hole locations on the wall with a pencil. (Figure 1)

**Please Note:** When attaching to wood, included screws can be screwed directly into wood. When attaching to drywall and metal, use anchors that are designed for such substrates. Visit your local hardware store for guidance on appropriate anchors for your substrate.

Continue to 3b. when installing tension device only or 3c. if installing with bracket.

### 3b. Installing Tension Device Only

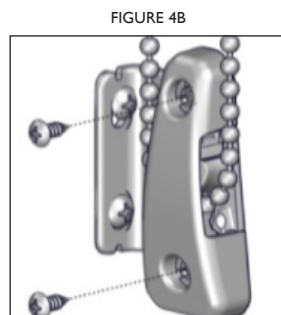
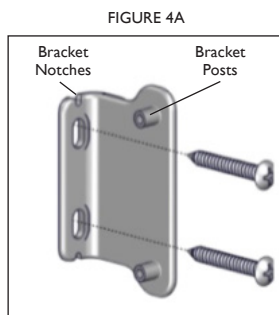
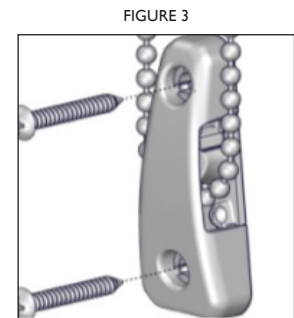
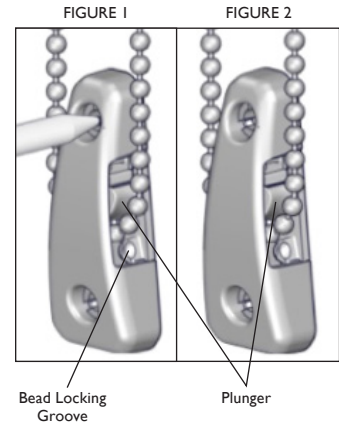
Attach tension device to wall by installing larger provided screws into tension device holes. (Figure 3)

### 3c. Using A Bracket:

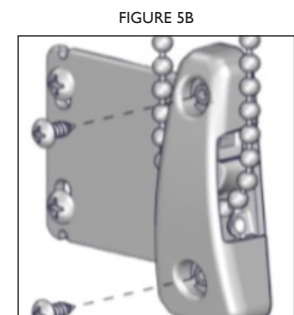
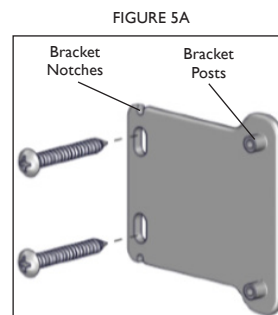
Remove tension device to reveal pencil marks. Align mounting bracket notches (Figure 4A, 5A) over pencil marks.

Next, attach bracket to wall by installing larger provided screws into mounting bracket oval slots.

Press the tension device onto the mounting bracket posts (Figure 4A, 5A). Carefully install the 2 small screws provided, through the tension device into the mounting bracket using a Phillips head screwdriver. (Figure 4B, 5B)



Outside Mount with Bracket



Side Mount with Bracket

## Care and Cleaning:

Minimal care and cleaning is needed to maintain the beauty of your shades. **To vacuum:** Use a hand held, low suction vacuum. **To dust:** Use a soft, clean cloth or a feather duster.

## Warranty:

The Shade Store products are covered by a limited lifetime warranty. This warranty covers any defects in materials or workmanship so long as the product is measured and installed according to instructions. Every Shade Store window treatment is designed to provide trouble-free use. In the unlikely event that warranty service is ever needed, simply contact the Help Desk at [help@theshadestore.com](mailto:help@theshadestore.com) or 800-754-1455 for assistance.